

G-SERIES
COMPACT EXCAVATORS



JOHN DEERE

35G / 50G / 60G



**COMPACT
OPERATORS**

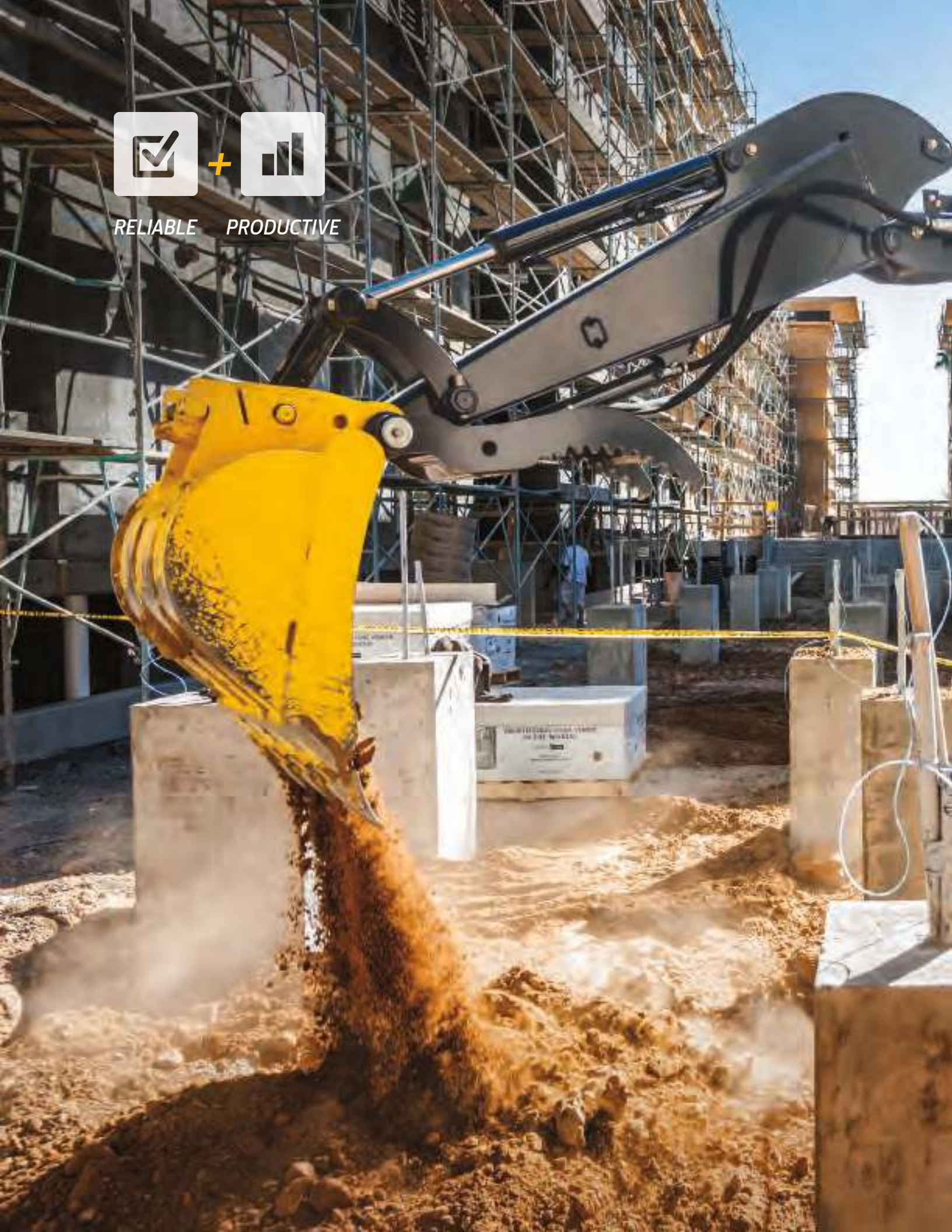


+



RELIABLE

PRODUCTIVE





DEERE

50G

SMALLER MACHINES,
BIGGER DEAL.



MAKE A BIGGER IMPACT
WITH OUR COMPACTS.

Inspired by input from equipment owners and operators like you, these nimble machines are loaded with customer-driven ideas. Such as a spacious cab with a wide entryway. Large expanse of glass for expansive visibility. Fuel-saving auto-shutdown and power/economy work modes. Plus three large service doors that allow wide-open access to maintenance items such as side-by-side coolers, for simplified core clean-out. Get a G-Series and get the same power, productivity, reliability, and comfort you've come to expect from our other compacts — in an even more operator-friendly package.



WE'VE GOT YOU COVERED

For challenging climates or work conditions, you're sure to appreciate the 60G canopy option (canopies are standard on the 35G and 50G).

ONE AND DONE **SEE WHAT YOU CAN DO.**



Looking to get more out of your compact excavator? Make your next machine one of our G-Series models and get more done.

EASY TO TRAILER

Modes of operation

Power/economy work modes allow you to match engine speed to the application. Select **Power** mode and get the higher engine speeds needed for most general digging work. For lighter digging demands, **Economy** mode reduces engine speed and noise, while improving fuel efficiency.

At home in the cab

With large entryways and virtually unrestricted sightlines, the spacious operator stations of G-Series machines deliver the comfort, convenience, and visibility an operator needs. And then some.

Compact by design

Zero-tail-swing (35G and 50G) and reduced-tail-swing (60G) designs make these compacts extra maneuverable and plenty productive in places with tight spaces.

Auto-idle and auto shutdown

Auto-idle automatically reduces engine speed when hydraulics aren't in use. Auto shutdown further preserves every precious drop of fuel.

Dig and go

G-Series Compacts transport easily between jobsites, making them perfect for "dig-and-go" jobs. Enlarged tie-down openings allow these machines to be secured with the same-size chains used on your larger equipment.





COMPACT AND QUIET *SIZE UP THE POSSIBILITIES.*

Their compact sizes and zero-tail-swing (35G and 50G) and reduced-tail-swing (60G) designs enable these small-but-mighty machines to specialize in close-quarters work. Their fuel-efficient, direct-injected diesels meet EPA Final Tier 4 (FT4)/EU Stage IV emission standards and are so quiet you can put them to work almost anywhere, any time. Standard equipped with backfill blade, mechanical quick-coupler, and auxiliary hydraulics, plus any of many optional John Deere attachments, they can make a sizable impact on your productivity. And your profitability.



UNDER
56"^{*}
TAIL-SWING
RADIUS

**For 60G w/ extra counterweight.*



Load up

Truck sideboards are no problem for these compacts. Lift height and reach are plentiful, making truck loading easy.

Underground and all around

Comfortably unrestricted visibility, precise feel, and smooth control make our compacts ideal for excavating around existing utilities.

Make tracks

Choose the tracks that are best for the way you work. Rubber tracks traverse virtually any terrain, including paved surfaces. Steel tracks and steel tracks with rubber pads are also available. Optional rubber grousers combine work-anywhere flexibility with steel-track serviceability.

Overcome obstacles

Why allow obstacles to dictate how you work? Get a G-Series Compact and put its independent-swing boom and 360-degree rotation to good use.



The image shows the interior of an excavator operator's cab. It features a large, black, ergonomic seat on the right side. In the center, there is a control panel with various buttons and a joystick. To the left, there is a dashboard with a digital display and several analog gauges. The floor is covered with a black, textured mat. The overall design is functional and spacious, emphasizing operator comfort.

COMFORTABLE PRODUCTIVITY

IT HARDLY SEEMS LIKE WORK.

Step aboard one of these excavators and you'll discover that compacts don't have to be uncomfortable. Spacious operator stations won't cramp your style. Seats, pedals, and controls are positioned to accommodate bigger operators. And expansive visibility provides a commanding view of the work at hand and jobsite around you. For year-round productivity, add a heated and air-conditioned cab. Just like our canopy-equipped models — including a 60G canopy option — roominess and comfort are maximized.



SINGLE-HINGE DOOR AIDS VISIBILITY

At a glance

Durable monitor provides vital operating info at a glance and fingertip control of several functions, including auto shutdown, power/economy modes, and auto exhaust-filter cleaning. Plus two trip meters let you track engine oil and hydraulic oil changes, or jobsite hours.

Take control

Go from backhoe- to excavator-style controls with a simple twist of your wrist. Control-pattern selector valve is conveniently located in a compartment beneath the seat.

Smooth operator

Ergonomic short-throw pilot-control levers provide smooth, predictable low-effort fingertip operation.

Clear and cool

Automatic, high-velocity bi-level climate-control system with automotive-style adjustable louvers helps keep the glass clear and the cab comfortable.

Room for more

Swing boom and foldable travel pedals are positioned where they're easy to operate, yet allow plenty of foot room.

Highly visible

Single-hinge door and front glass that is 2-inches wider and 6-inches taller than on previous models enable excellent visibility.

Safe travels

No operator activation is required for high-speed travel. Track speeds automatically slow to low whenever the travel motors encounter a heavier load. Includes a console-mounted, low-speed lock switch.

Quiet on the job

Noise-reducing muffler (35G) and aftertreatment device (50G/60G), plus isochronous high-idle speed, help keep things noticeably quiet. Rubber cab mounts further isolate the operator from noise and vibration to help reduce fatigue.





TOUGH WHERE IT'S NEEDED

BUILT TO TAKE IT ON.

Don't let their compact statures fool you. Like their larger G-Series siblings, the 35G, 50G, and 60G are exceptionally durable. And for good reason — they share many of the same uptime-boosting features such as powdered-metal oil-impregnated boom, arm, and bucket bushings. Rigid, reinforced D-channel side frames. And heavy-duty X-frames. When you know how they're built, you'll see how tough they are.



HEAVY-DUTY & STABLE X-FRAME

Material protection

Heavy-duty shields deflect material and impacts, protecting the boom/blade cylinders and drive motors.

X marks the spot

Heavy-duty X-frame provides a solid, stable platform that resists material and dirt buildup.

Designed for durability

Rigid, reinforced D-channel side frames resist impact, for maximum cab and component protection.

Extended intervals

Oil-impregnated bushings enhance durability and extend grease intervals to 500 hours for the arm-and-boom joint and 100 hours for the bucket.

Put the brakes on

Spring-applied, hydraulically released park brake automatically engages when a control lever is released, to help prevent accidental machine movement.

Integral integrity

Single-pin swing-post increases boom rigidity, enhancing the structural integrity of digging components. Wear-resistant hoses are routed for protection and Cordura®-wrapped where exposed.

Core construction

Unique steel cores help the rubber tracks resist cracking. Large-diameter drive sprockets and track idlers further add to undercarriage durability.



SET YOUR SIGHTS ON
GETTING
MORE DONE.

ARM YOURSELF

FOR MORE PRODUCTIVITY.

Want to do even more with these highly versatile compacts? Add any of the many available buckets and John Deere attachments to your equipment arsenal and watch utilization take off. G-Series Compacts arrive attachment-ready with boom-mounted auxiliary hydraulic lines and a quick-coupler that let you go from bucket to plate compactor to whatever, quickly and easily. See your John Deere dealer today for details and financing options.

Easy additions

Standard quick-coupler-equipped, boom-mounted auxiliary hydraulic lines make attachment hookup a snap.

Pull through the muck

Ditch-cleaning buckets from 34- to 42-inches wide handle loose materials or muck.

Reach for more

Need more digging depth or reach? Choose the long-arm/heavy-counterweight option for an increase in both.

Hardly all thumbs

Add a top clamp for thumb-like dexterity that comes in handy when handling cumbersome objects or cleaning up jobsites.

Break on through

Bust through blacktop, concrete, or other solid surfaces with a John Deere hydraulic hammer. Front cab screens are available to help prevent damage to the glass.

Fleet flexibility

John Deere attachments work on a wide range of Deere and other makes of compact machines, so you can make the most of your investment.

Handy hydraulics

Return-flow selector valve accommodates hydraulic-driven attachments that operate either one or two ways. Make changes with just a twist of the wrist.



**VERSATILE
JOHN DEERE
ATTACHMENTS**



Change it up

Wedge-style coupler enables quick changes and accepts a wide variety of buckets and attachments, such as hydraulic hammers and augers.

SIMPLE SERVICEABILITY

WON'T BUST YOUR TAIL OR YOUR BUDGET.

Ground-level service

Routine checks such as engine oil level are quickly accomplished from ground level. Convenient lube/maintenance chart helps confirm that nothing gets overlooked.

Keep it clean

Seamless diesel particulate filter (DPF) cleaning happens automatically without impacting machine productivity. Minimum service interval is 6,000 hours and can be done by your John Deere dealer.

Check it out

Hydraulic fluid sight gauge and see-through coolant reservoir let you quickly check levels.

Forward tilt

Operator station tilts forward 50 degrees, bringing the swing motor, hydraulic control valve, engine starter motor, and alternator within reach.



Engine tech

The FT4/Stage IV technology in our excavators is simple, fuel efficient, fully integrated, and fully supported. In the 50G and 60G, it employs field-proven cooled exhaust gas recirculation (EGR) for reducing NO_x and a DPF and diesel oxidation catalyst (DOC) to reduce particulate matter. The 35G doesn't require an aftertreatment system to meet emission requirements.

Easy access

Hinged door provides wide-open access to the side-by-side oil cooler and radiator for easier core clean-out.

Track maintenance

A simple grease gun and a wrench are all it takes to quickly maintain proper track tension.

Work longer

Vertical spin-on filters allow quick and clean changes. Large fuel tanks and 500- and 2,000-hour engine and hydraulic oil-service and 500-hour greasing intervals enable these excavators to work longer between stops for scheduled service.





35G SPECIFICATIONS

While general information, pictures, and descriptions are provided, some illustrations and text may include product options and accessories NOT AVAILABLE in all regions, and in some countries products and accessories may require modifications or additions to ensure compliance with the local regulations of those countries.

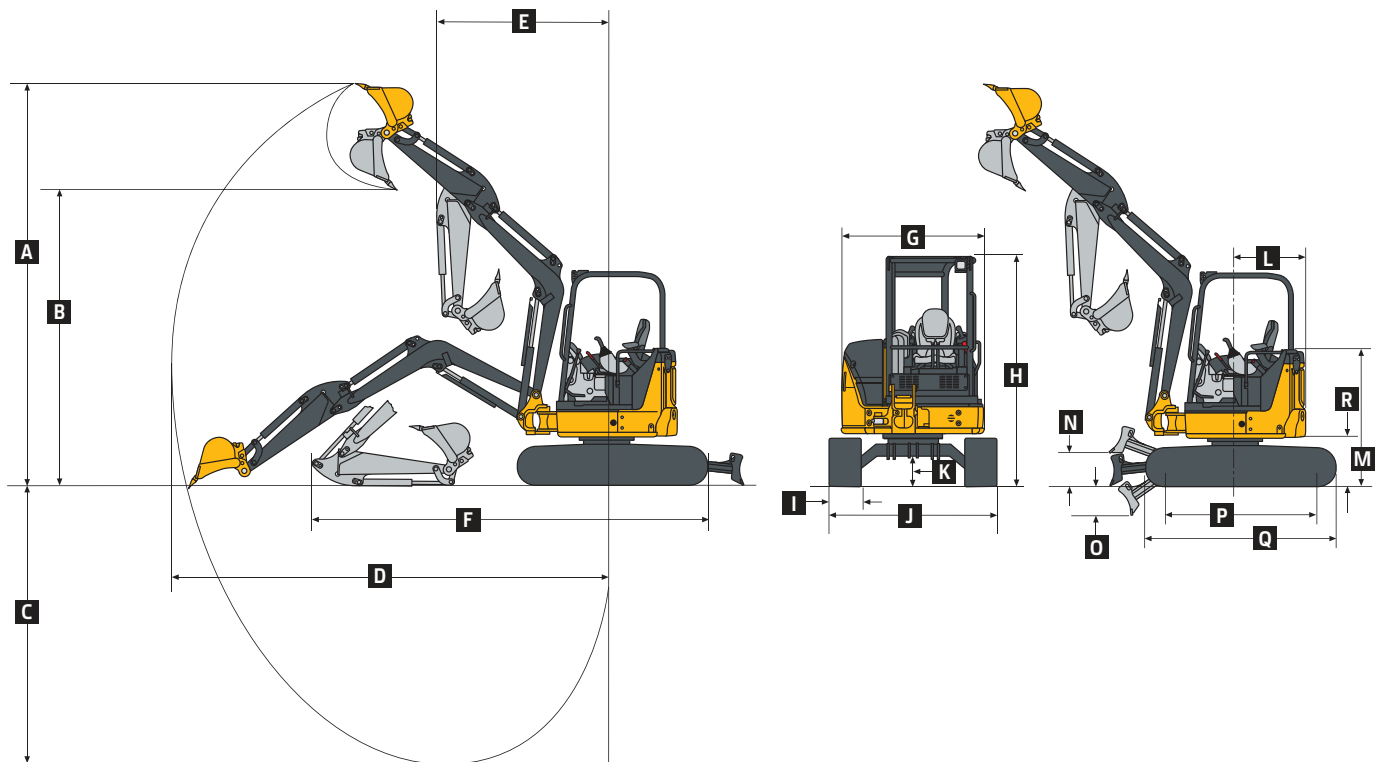
Engine		35G			
Manufacturer and Model	Yanmar 3TNV88F				
Non-Road Emission Standard	EPA Final Tier 4/EU Stage IV				
Displacement	1.642 L (100.2 cu. in.)				
Net Power (ISO 9249)	17.4 kW (23.3 hp) at 2,400 rpm				
Powertrain					
Each track independently driven by hydrostatic axial-piston motor connected to 2-stage planetary gear-reduction box					
Maximum Travel Speed					
Low	2.8 km/h (1.7 mph)				
High	4.3 km/h (2.7 mph)				
Hydraulics					
Open center with 2 variable-displacement pumps and 1 fixed-gear pump					
Pump Flow					
Piston	2 x 38.4 L/m (2 x 10.1 gpm)				
Gear	22.8 L/m (6.0 gpm)				
Auxiliary Flow	61.2 L/m (16.2 gpm)				
Controls	2 hydraulic pilot-operated controls for boom, arm, bucket, swing, boom swing, travel, and auxiliary functions				
Electrical					
Alternator Rating	55 amp				
Work Lights	2 halogen: 1 mounted on operator's station and 1 mounted on boom				
Undercarriage					
Track, Rubber	300 mm (12 in.)				
Ground Pressure					
	<i>1315-mm (4 ft. 4 in.) Standard Arm, Canopy, and Standard Counterweight</i>	<i>1315-mm (4 ft. 4 in.) Standard Arm, Cab, and Standard Counterweight</i>	<i>1715-mm (5 ft. 8 in.) Long Arm, Canopy, and Extra Counterweight</i>	<i>1715-mm (5 ft. 8 in.) Long Arm, Cab, and Extra Counterweight</i>	
With Rubber Track	32.0 kPa (4.6 psi)	33.0 kPa (4.8 psi)	33.7 kPa (4.9 psi)	35.2 kPa (5.1 psi)	
Upperstructure					
Swing Speed	9.0 rpm				
Independent Swing Boom	<i>Canopy</i>	<i>Cab</i>			
Left	72 deg.	62 deg.			
Right	62 deg.	62 deg.			
Swing Brake	Spring applied, hydraulically released, automatic, disc type				
Serviceability					
Refill Capacities					
Fuel Tank	42 L (11.1 gal.)				
Cooling System	5.0 L (5.3 qt.)				
Engine Oil With Filter	7.2 L (7.6 qt.)				
Hydraulic Tank	32 L (8.5 gal.)				
Operating Weights					
	<i>1315-mm (4 ft. 4 in.) Standard Arm, Canopy, and Standard Counterweight</i>	<i>1315-mm (4 ft. 4 in.) Standard Arm, Cab, and Standard Counterweight</i>	<i>1715-mm (5 ft. 8 in.) Long Arm, Canopy, and Extra Counterweight</i>	<i>1715-mm (5 ft. 8 in.) Long Arm, Cab, and Extra Counterweight</i>	
With Full Fuel Tank and 79-kg (175 lb.) Operator	3520 kg (7,760 lb.)	3690 kg (8,135 lb.)	3783 kg (8,340 lb.)	3953 kg (8,715 lb.)	
Optional Angle Blade	296 kg (653 lb.)	296 kg (653 lb.)	296 kg (653 lb.)	296 kg (653 lb.)	
Counterweight					
Standard	540 kg (1,190 lb.)	540 kg (1,190 lb.)	540 kg (1,190 lb.)	540 kg (1,190 lb.)	
Additional	240 kg (529 lb.)	240 kg (529 lb.)	240 kg (529 lb.)	240 kg (529 lb.)	

35G SPECIFICATIONS



While general information, pictures, and descriptions are provided, some illustrations and text may include product options and accessories NOT AVAILABLE in all regions, and in some countries products and accessories may require modifications or additions to ensure compliance with the local regulations of those countries.

Operating Dimensions	35G			
	1315-mm (4 ft. 4 in.) Standard Arm and Canopy	1315-mm (4 ft. 4 in.) Standard Arm and Cab	1715-mm (5 ft. 8 in.) Long Arm and Canopy	1715-mm (5 ft. 8 in.) Long Arm and Cab
A Maximum Cutting Height	4.87 m (16 ft. 0 in.)	4.70 m (15 ft. 5 in.)	4.95 m (16 ft. 3 in.)	4.74 m (15 ft. 7 in.)
B Maximum Dumping Height	3.46 m (11 ft. 4 in.)	3.31 m (10 ft. 10 in.)	3.57 m (11 ft. 9 in.)	3.39 m (11 ft. 1 in.)
C Maximum Digging Depth	3.06 m (10 ft. 0 in.)	3.06 m (10 ft. 0 in.)	3.46 m (11 ft. 4 in.)	3.46 m (11 ft. 4 in.)
D Maximum Digging Reach	5.21 m (17 ft. 1 in.)	5.21 m (17 ft. 1 in.)	5.52 m (18 ft. 1 in.)	5.52 m (18 ft. 1 in.)
E Minimum Front Swing Radius	2.08 m (6 ft. 10 in.)	2.24 m (7 ft. 4 in.)	2.19 m (7 ft. 2 in.)	2.30 m (7 ft. 7 in.)
F Transport Length	4.64 m (15 ft. 3 in.)	4.64 m (15 ft. 3 in.)	4.75 m (15 ft. 7 in.)	4.75 m (15 ft. 7 in.)
Digging Force (ISO)				
Arm	19.0 kN (4,277 lb.)	19.0 kN (4,277 lb.)	16.9 kN (3,792 lb.)	16.9 kN (3,792 lb.)
Bucket	27.1 kN (6,085 lb.)	27.1 kN (6,085 lb.)	27.1 kN (6,085 lb.)	27.1 kN (6,085 lb.)



Machine Dimensions			
G Upperstructure Width	1.55 m (5 ft. 1 in.)	M Engine Cover Height	1.53 m (5 ft. 0 in.)
H Overall Height		N Maximum Blade Lift Above Ground	360 mm (14.2 in.)
Canopy	2.48 m (8 ft. 2 in.)	O Maximum Blade Drop Below Ground	400 mm (15.7 in.)
Cab	2.48 m (8 ft. 2 in.)	Blade	
I Track Width	300 mm (12 in.)	Width	1.74 m (5 ft. 9 in.)
J Undercarriage Width	1.74 m (5 ft. 9 in.)	Height	373 mm (14.7 in.)
K Ground Clearance	280 mm (11 in.)	P Sprocket Center to Idler Center	1.66 m (5 ft. 5 in.)
L Tail Swing Radius		Q Undercarriage Length	2.11 m (6 ft. 11 in.)
With Standard Arm	870 mm (34 in.)	R Counterweight Clearance	550 mm (22 in.)
With Long Arm and Extra Counterweight	980 mm (39 in.)		

Lift Capacities

Boldface type indicates hydraulically limited capacity; lightface type indicates stability-limited capacities, in kg (lb.). All lift capacities are based on ISO 10567 (with power boost). Lifting measurement from center of arm to bucket pin; with 400-mm (16 in.) track shoe and blade on ground; and situated on firm, level, uniform supporting surface. Total load includes weight of cables, hook, etc. Figures do not exceed 87 percent of hydraulic capacities or 75 percent of weight needed to tip machine.

	Canopy and Standard Counterweight		Cab and Standard Counterweight		Canopy and Extra Counterweight		Cab and Extra Counterweight	
	Over Front	Over Side	Over Front	Over Side	Over Front	Over Side	Over Front	Over Side
Ground Level at 3.05-m (10 ft.) Radius								
1315-mm (4 ft. 4 in.) Standard Arm	1568 kg (3,453 lb.)	641 kg (1,412 lb.)	1568 kg (3,453 lb.)	684 kg (1,506 lb.)	1568 kg (3,453 lb.)	765 kg (1,686 lb.)	1568 kg (3,453 lb.)	808 kg (1,780 lb.)
1715-mm (5 ft. 8 in.) Long Arm	1501 kg (3,307 lb.)	630 kg (1,388 lb.)	1501 kg (3,307 lb.)	672 kg (1,481 lb.)	1501 kg (3,307 lb.)	755 kg (1,662 lb.)	1501 kg (3,307 lb.)	797 kg (1,756 lb.)



50G SPECIFICATIONS

While general information, pictures, and descriptions are provided, some illustrations and text may include product options and accessories NOT AVAILABLE in all regions, and in some countries products and accessories may require modifications or additions to ensure compliance with the local regulations of those countries.

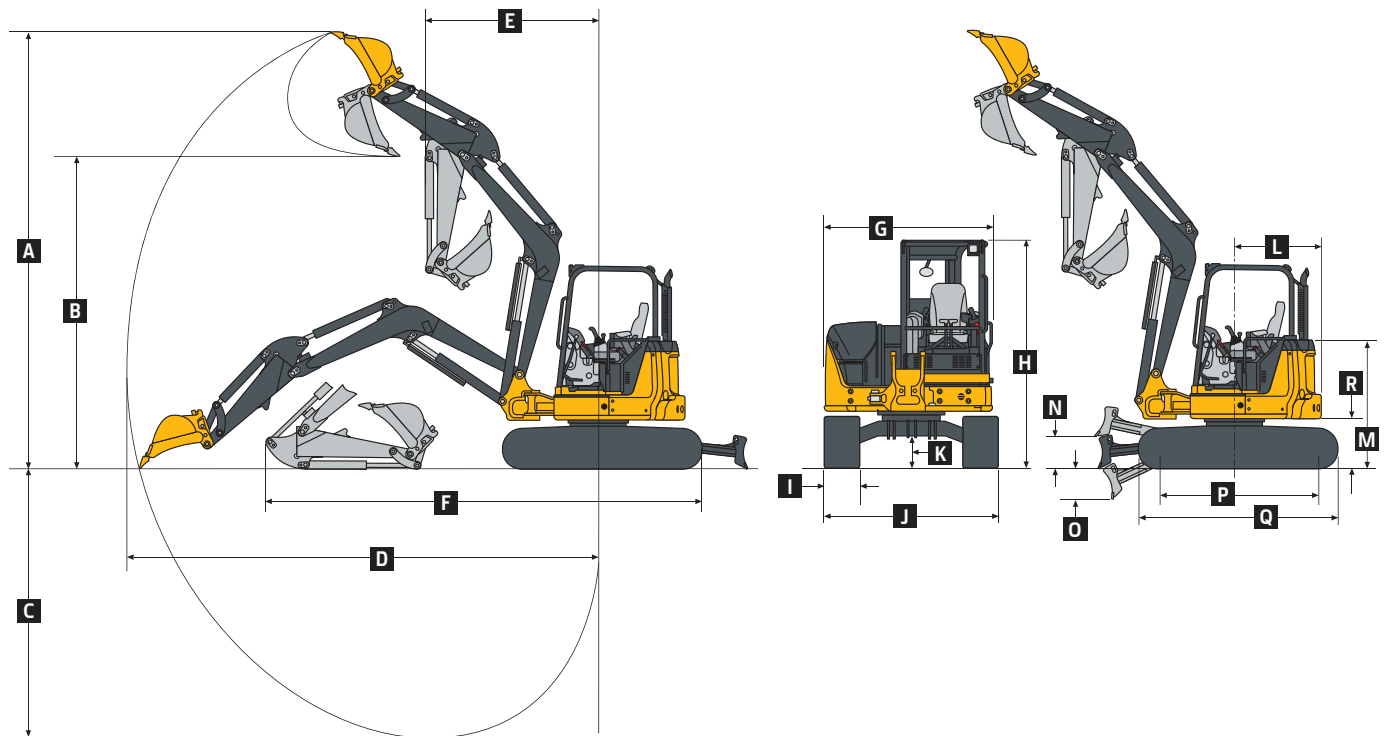
Engine		50G			
Manufacturer and Model	Yanmar 4TNV88C				
Non-Road Emission Standard	EPA Final Tier 4/EU Stage IV				
Displacement	2.19 L (134 cu. in.)				
Net Power (ISO 9249)	26.8 kW (35.9 hp) at 2,400 rpm				
Powertrain					
Each track independently driven by hydrostatic axial-piston motor connected to 2-stage planetary gear-reduction box					
Maximum Travel Speed					
Low	2.5 km/h (1.6 mph)				
High	4.2 km/h (2.6 mph)				
Hydraulics					
Closed-center load sensing with 1 variable-displacement pump					
Pump Flow	120.0 L/m (31.7 gpm)				
Auxiliary Flow	87.4 L/m (23.1 gpm)				
Controls	Hydraulic pilot-operated controls for boom, arm, bucket, swing, boom swing, blade, travel, and auxiliary functions				
Electrical					
Alternator Rating	55 amp				
Work Lights	2 halogen: 1 mounted on operator's station and 1 mounted on boom				
Undercarriage					
Track, Rubber	400 mm (16 in.)				
Ground Pressure					
	<i>1380-mm (4 ft. 6 in.) Standard Arm, Canopy, and Standard Counterweight</i>	<i>1380-mm (4 ft. 6 in.) Standard Arm, Cab, and Standard Counterweight</i>	<i>1690-mm (5 ft. 7 in.) Long Arm, Canopy, and Extra Counterweight</i>	<i>1690-mm (5 ft. 7 in.) Long Arm, Cab, and Extra Counterweight</i>	
With Rubber Track	26.9 kPa (3.90 psi)	28.3 kPa (4.10 psi)	28.8 kPa (4.17 psi)	29.5 kPa (4.28 psi)	
Upperstructure					
Swing Speed	9.0 rpm				
Independent Swing Boom					
Left	80 deg.				
Right	60 deg.				
Swing Brake	Spring applied, hydraulically released, automatic, disc type				
Serviceability					
Refill Capacities					
Fuel Tank	70 L (18.5 gal.)				
Cooling System	5.0 L (5.3 qt.)				
Engine Oil With Filter	8.6 L (9.1 qt.)				
Hydraulic Tank	56 L (14.8 gal.)				
Operating Weights					
	<i>1380-mm (4 ft. 6 in.) Standard Arm, Canopy, and Standard Counterweight</i>	<i>1380-mm (4 ft. 6 in.) Standard Arm, Cab, and Standard Counterweight</i>	<i>1690-mm (5 ft. 7 in.) Long Arm, Canopy, and Extra Counterweight</i>	<i>1690-mm (5 ft. 7 in.) Long Arm, Cab, and Extra Counterweight</i>	
With 400-mm (16 in.) Rubber Track, Straight Blade, Full Fuel Tank, and 79-kg (175 lb.) Operator	4790 kg (10,560 lb.)	4920 kg (10,847 lb.)	5018 kg (11,063 lb.)	5148 kg (11,349 lb.)	
Optional Angle Blade	409 kg (902 lb.)	409 kg (902 lb.)	409 kg (902 lb.)	409 kg (902 lb.)	
Counterweight					
Standard	700 kg (1,543 lb.)	700 kg (1,543 lb.)	700 kg (1,543 lb.)	700 kg (1,543 lb.)	
Additional	200 kg (441 lb.)	200 kg (441 lb.)	200 kg (441 lb.)	200 kg (441 lb.)	

50G SPECIFICATIONS



While general information, pictures, and descriptions are provided, some illustrations and text may include product options and accessories NOT AVAILABLE in all regions, and in some countries products and accessories may require modifications or additions to ensure compliance with the local regulations of those countries.

Operating Dimensions		50G			
		1380-mm (4 ft. 6 in.) Standard Arm and Canopy	1380-mm (4 ft. 6 in.) Standard Arm and Cab	1690-mm (5 ft. 7 in.) Long Arm and Canopy	1690-mm (5 ft. 7 in.) Long Arm and Cab
A	Maximum Cutting Height	5.75 m (18 ft. 10 in.)	5.75 m (18 ft. 10 in.)	6.00 m (19 ft. 8 in.)	6.00 m (19 ft. 8 in.)
B	Maximum Dumping Height	4.07 m (13 ft. 4 in.)	4.07 m (13 ft. 4 in.)	4.31 m (14 ft. 2 in.)	4.31 m (14 ft. 2 in.)
C	Maximum Digging Depth	3.53 m (11 ft. 7 in.)	3.53 m (11 ft. 7 in.)	3.83 m (12 ft. 7 in.)	3.83 m (12 ft. 7 in.)
D	Maximum Digging Reach	5.96 m (19 ft. 7 in.)	5.96 m (19 ft. 7 in.)	6.26 m (20 ft. 6 in.)	6.26 m (20 ft. 6 in.)
E	Minimum Front Swing Radius	2.21 m (7 ft. 3 in.)	2.21 m (7 ft. 3 in.)	2.30 m (7 ft. 7 in.)	2.30 m (7 ft. 7 in.)
F	Transport Length	5.47 m (17 ft. 11 in.)	5.47 m (17 ft. 11 in.)	5.52 m (18 ft. 1 in.)	5.52 m (18 ft. 1 in.)
Digging Force (ISO)					
	Arm	24.0 kN (5,401 lb.)	24.0 kN (5,401 lb.)	21.0 kN (4,718 lb.)	21.0 kN (4,718 lb.)
	Bucket	36.8 kN (8,267 lb.)	36.8 kN (8,267 lb.)	36.8 kN (8,267 lb.)	36.8 kN (8,267 lb.)



Machine Dimensions				
G	Upperstructure Width	1.85 m (6 ft. 1 in.)	M Engine Cover Height	1.59 m (5 ft. 3 in.)
H	Overall Height		N Maximum Blade Lift Above Ground	460 mm (18 in.)
	Canopy	2.53 m (8 ft. 4 in.)	O Maximum Blade Drop Below Ground	360 mm (14 in.)
	Cab	2.53 m (8 ft. 4 in.)	Blade	
I	Track Width	400 mm (16 in.)	Width	2.00 m (6 ft. 7 in.)
J	Undercarriage Width	2.00 m (6 ft. 7 in.)	Height	375 mm (15 in.)
K	Ground Clearance	340 mm (13 in.)	P Sprocket Center to Idler Center	2.00 m (6 ft. 7 in.)
L	Tail Swing Radius		Q Track Length	2.50 m (8 ft. 2 in.)
	With Standard Arm	1.00 m (39 in.)	R Counterweight Clearance	610 mm (24 in.)
	With Long Arm and Extra Counterweight	1.10 m (43 in.)		

Lift Capacities

Boldface type indicates hydraulically limited capacity; lightface type indicates stability-limited capacities, in kg (lb.). All lift capacities are based on ISO 10567 (with power boost). Lifting measurement from center of arm to bucket pin; with 400-mm (16 in.) track shoe and blade on ground; and situated on firm, level, uniform supporting surface. Total load includes weight of cables, hook, etc. Figures do not exceed 87 percent of hydraulic capacities or 75 percent of weight needed to tip machine.

	Canopy and Standard Counterweight		Cab and Standard Counterweight		Canopy and Extra Counterweight		Cab and Extra Counterweight	
	Over Front*	Over Side	Over Front*	Over Side	Over Front*	Over Side	Over Front*	Over Side
Ground Level at 3.05-m (10 ft.) Radius								
1380-mm (4 ft. 6 in.) Standard Arm	2511 kg (5,531 lb.)	1110 kg (2,444 lb.)	2511 kg (5,531 lb.)	1150 kg (2,534 lb.)	2511 kg (5,531 lb.)	1232 kg (2,714 lb.)	2511 kg (5,531 lb.)	1273 kg (2,803 lb.)
1690-mm (5 ft. 7 in.) Long Arm	2477 kg (5,456 lb.)	1088 kg (2,396 lb.)	2477 kg (5,456 lb.)	1129 kg (2,486 lb.)	2477 kg (5,456 lb.)	1210 kg (2,666 lb.)	2477 kg (5,456 lb.)	1251 kg (2,755 lb.)



60G SPECIFICATIONS

While general information, pictures, and descriptions are provided, some illustrations and text may include product options and accessories NOT AVAILABLE in all regions, and in some countries products and accessories may require modifications or additions to ensure compliance with the local regulations of those countries.

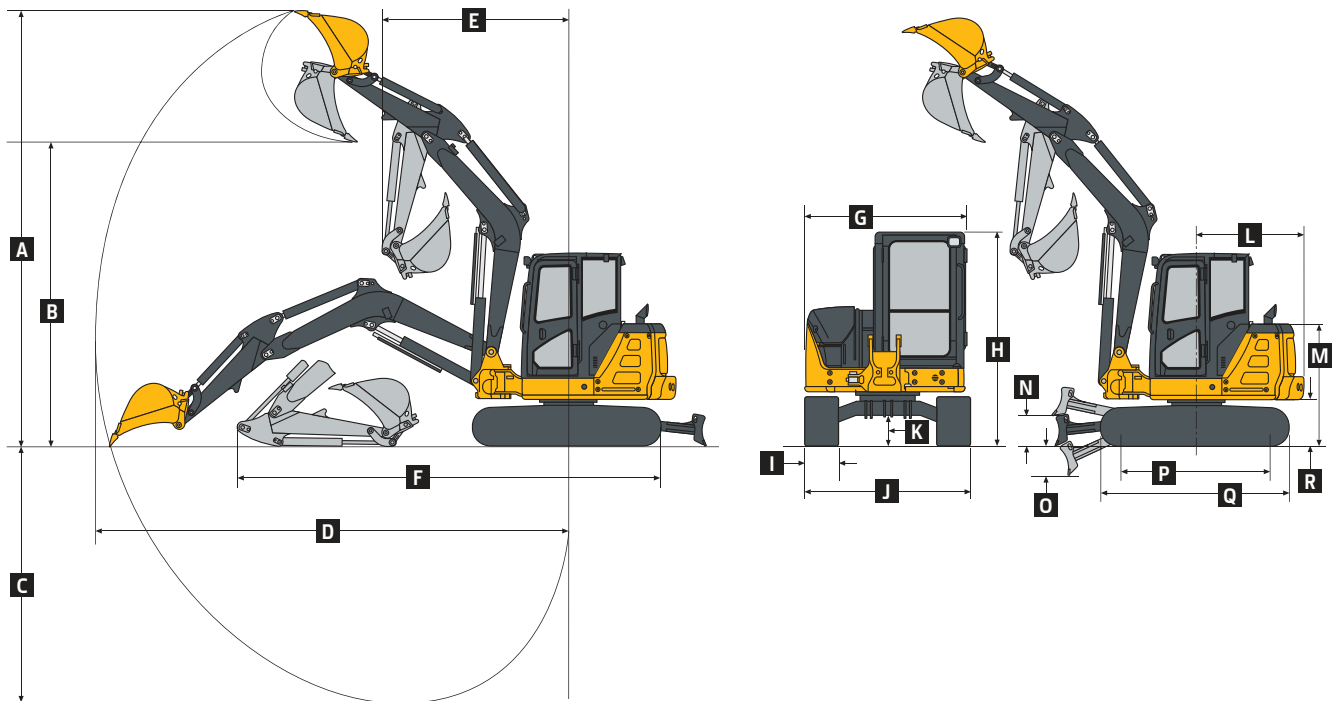
Engine		60G																																																																		
Manufacturer and Model	Yanmar 4TNV98C-WHB																																																																			
Non-Road Emission Standard	EPA Final Tier 4/EU Stage IV																																																																			
Displacement	3.32 L (203 cu. in.)																																																																			
Net Rated Power (ISO 9249)	39.6 kW (53 hp) at 2,000 rpm																																																																			
Powertrain		2-speed propel with automatic shift; each track independently driven by hydrostatic axial-piston motor connected to 2-stage planetary gear-reduction box																																																																		
Maximum Travel Speed																																																																				
Slow	2.9 km/h (1.8 mph)																																																																			
Fast	4.8 km/h (3.0 mph)																																																																			
Hydraulics		Open-center, pilot-operated																																																																		
Main Pumps		1 variable-displacement pump																																																																		
Maximum Rated Flow	144 L/m (38.0 gpm)																																																																			
Auxiliary Maximum Rated Flow	91.5 L/m (24.2 gpm)																																																																			
Controls	2 hydraulic pilot-operated controls for boom, arm, bucket, swing, boom swing, travel, and auxiliary functions																																																																			
Electrical		Alternator Rating 55 amp																																																																		
Work Lights	2 halogen: 1 mounted on operator's station and 1 mounted on boom																																																																			
Undercarriage		Track Shoe Width, Standard Configuration 400 mm (16 in.)																																																																		
Ground Pressure		<table border="1"> <thead> <tr> <th></th> <th>1500-mm (4 ft. 11 in.) Standard Arm and Canopy</th> <th>1500-mm (4 ft. 11 in.) Standard Arm and Cab</th> <th>1850-mm (6 ft. 1 in.) Long Arm* and Canopy</th> <th>1850-mm (6 ft. 1 in.) Long Arm* and Cab</th> </tr> </thead> <tbody> <tr> <td>With 400-mm (16 in.) Rubber Track</td> <td>34 kPa (4.9 psi)</td> <td>35 kPa (5.1 psi)</td> <td>36 kPa (5.2 psi)</td> <td>36 kPa (5.2 psi)</td> </tr> </tbody> </table>					1500-mm (4 ft. 11 in.) Standard Arm and Canopy	1500-mm (4 ft. 11 in.) Standard Arm and Cab	1850-mm (6 ft. 1 in.) Long Arm* and Canopy	1850-mm (6 ft. 1 in.) Long Arm* and Cab	With 400-mm (16 in.) Rubber Track	34 kPa (4.9 psi)	35 kPa (5.1 psi)	36 kPa (5.2 psi)	36 kPa (5.2 psi)																																																					
	1500-mm (4 ft. 11 in.) Standard Arm and Canopy	1500-mm (4 ft. 11 in.) Standard Arm and Cab	1850-mm (6 ft. 1 in.) Long Arm* and Canopy	1850-mm (6 ft. 1 in.) Long Arm* and Cab																																																																
With 400-mm (16 in.) Rubber Track	34 kPa (4.9 psi)	35 kPa (5.1 psi)	36 kPa (5.2 psi)	36 kPa (5.2 psi)																																																																
*Add counterweight.																																																																				
Upperstructure		Swing Speed, Right/Left 9.5 rpm																																																																		
Maximum Boom Swing Angle		Left 80 deg.																																																																		
		Right 60 deg.																																																																		
Swing Brake		Spring applied, hydraulically released, automatic, disc type																																																																		
Serviceability		Refill Capacities																																																																		
Fuel Tank		120 L (31.7 gal.)																																																																		
Engine Coolant		7.7 L (2 gal.)																																																																		
Engine Oil With Filter		11.2 L (3 gal.)																																																																		
Hydraulic Tank		80 L (21.1 gal.)																																																																		
Operating Weights		<table border="1"> <thead> <tr> <th></th> <th colspan="2">1500-mm (4 ft. 11 in.) Standard Arm, Canopy, and 400-mm (12 in.) Track</th> <th colspan="2">1500-mm (4 ft. 11 in.) Standard Arm, Cab, and 400-mm (12 in.) Track</th> <th colspan="2">1850-mm (6 ft. 1 in.) Long Arm, Canopy, and 400-mm (12 in.) Track</th> <th colspan="2">1850-mm (6 ft. 1 in.) Long Arm, Cab, and 400-mm (12 in.) Track</th> </tr> <tr> <th></th> <th>Rubber</th> <th>Steel</th> <th>Rubber</th> <th>Steel</th> <th>Rubber</th> <th>Steel</th> <th>Rubber</th> <th>Steel</th> </tr> </thead> <tbody> <tr> <td>With 745-kg (1,642 lb.) Counterweight; 762-mm (30 in.), 204-kg (450 lb.) Bucket; Full Fuel Tank; and 75-kg (165 lb.) Operator</td> <td>6010 kg (13,250 lb.)</td> <td>6110 kg (13,470 lb.)</td> <td>6180 kg (13,620 lb.)</td> <td>6280 kg (13,850 lb.)</td> <td>6040 kg (13,320 lb.)</td> <td>6140 kg (13,540 lb.)</td> <td>6210 kg (13,690 lb.)</td> <td>6310 kg (13,910 lb.)</td> </tr> <tr> <td>Angle Blade</td> <td colspan="2">458 kg (1,010 lb.)</td> <td colspan="2">458 kg (1,010 lb.)</td> <td colspan="2">458 kg (1,010 lb.)</td> <td colspan="2">458 kg (1,010 lb.)</td> </tr> <tr> <td>Counterweight</td> <td colspan="2">745 kg (1,642 lb.)</td> <td colspan="2">745 kg (1,642 lb.)</td> <td colspan="2">745 kg (1,642 lb.)</td> <td colspan="2">745 kg (1,642 lb.)</td> </tr> <tr> <td>Standard (including hardware)</td> <td colspan="2">745 kg (1,642 lb.)</td> <td colspan="2">745 kg (1,642 lb.)</td> <td colspan="2">745 kg (1,642 lb.)</td> <td colspan="2">745 kg (1,642 lb.)</td> </tr> <tr> <td>Additional</td> <td colspan="2">270 kg (595 lb.)</td> <td colspan="2">270 kg (595 lb.)</td> <td colspan="2">270 kg (595 lb.)</td> <td colspan="2">270 kg (595 lb.)</td> </tr> </tbody> </table>					1500-mm (4 ft. 11 in.) Standard Arm, Canopy, and 400-mm (12 in.) Track		1500-mm (4 ft. 11 in.) Standard Arm, Cab, and 400-mm (12 in.) Track		1850-mm (6 ft. 1 in.) Long Arm, Canopy, and 400-mm (12 in.) Track		1850-mm (6 ft. 1 in.) Long Arm, Cab, and 400-mm (12 in.) Track			Rubber	Steel	Rubber	Steel	Rubber	Steel	Rubber	Steel	With 745-kg (1,642 lb.) Counterweight; 762-mm (30 in.), 204-kg (450 lb.) Bucket; Full Fuel Tank; and 75-kg (165 lb.) Operator	6010 kg (13,250 lb.)	6110 kg (13,470 lb.)	6180 kg (13,620 lb.)	6280 kg (13,850 lb.)	6040 kg (13,320 lb.)	6140 kg (13,540 lb.)	6210 kg (13,690 lb.)	6310 kg (13,910 lb.)	Angle Blade	458 kg (1,010 lb.)		458 kg (1,010 lb.)		458 kg (1,010 lb.)		458 kg (1,010 lb.)		Counterweight	745 kg (1,642 lb.)		745 kg (1,642 lb.)		745 kg (1,642 lb.)		745 kg (1,642 lb.)		Standard (including hardware)	745 kg (1,642 lb.)		745 kg (1,642 lb.)		745 kg (1,642 lb.)		745 kg (1,642 lb.)		Additional	270 kg (595 lb.)		270 kg (595 lb.)		270 kg (595 lb.)		270 kg (595 lb.)	
	1500-mm (4 ft. 11 in.) Standard Arm, Canopy, and 400-mm (12 in.) Track		1500-mm (4 ft. 11 in.) Standard Arm, Cab, and 400-mm (12 in.) Track		1850-mm (6 ft. 1 in.) Long Arm, Canopy, and 400-mm (12 in.) Track		1850-mm (6 ft. 1 in.) Long Arm, Cab, and 400-mm (12 in.) Track																																																													
	Rubber	Steel	Rubber	Steel	Rubber	Steel	Rubber	Steel																																																												
With 745-kg (1,642 lb.) Counterweight; 762-mm (30 in.), 204-kg (450 lb.) Bucket; Full Fuel Tank; and 75-kg (165 lb.) Operator	6010 kg (13,250 lb.)	6110 kg (13,470 lb.)	6180 kg (13,620 lb.)	6280 kg (13,850 lb.)	6040 kg (13,320 lb.)	6140 kg (13,540 lb.)	6210 kg (13,690 lb.)	6310 kg (13,910 lb.)																																																												
Angle Blade	458 kg (1,010 lb.)		458 kg (1,010 lb.)		458 kg (1,010 lb.)		458 kg (1,010 lb.)																																																													
Counterweight	745 kg (1,642 lb.)		745 kg (1,642 lb.)		745 kg (1,642 lb.)		745 kg (1,642 lb.)																																																													
Standard (including hardware)	745 kg (1,642 lb.)		745 kg (1,642 lb.)		745 kg (1,642 lb.)		745 kg (1,642 lb.)																																																													
Additional	270 kg (595 lb.)		270 kg (595 lb.)		270 kg (595 lb.)		270 kg (595 lb.)																																																													

60G SPECIFICATIONS



While general information, pictures, and descriptions are provided, some illustrations and text may include product options and accessories NOT AVAILABLE in all regions, and in some countries products and accessories may require modifications or additions to ensure compliance with the local regulations of those countries.

Operating Dimensions		60G	
		1500-mm (4 ft. 11 in.) Standard Arm	1850-mm (6 ft. 1 in.) Long Arm
A	Maximum Cutting Height	5.96 m (19 ft. 7 in.)	6.19 m (20 ft. 4 in.)
B	Maximum Dumping Height	4.17 m (13 ft. 8 in.)	4.41 m (14 ft. 6 in.)
C	Maximum Digging Depth	3.77 m (12 ft. 4 in.)	4.12 m (13 ft. 6 in.)
D	Maximum Digging Reach	6.23 m (20 ft. 5 in.)	6.56 m (21 ft. 6 in.)
E	Minimum Boom Swing Radius	2.45 m (8 ft. 0 in.)	2.54 m (8 ft. 4 in.) with additional counterweight
F	Transport Length	5.76 m (18 ft. 11 in.)	5.79 m (19 ft. 0 in.)
Digging Force (ISO), HCM Bucket (788.1-mm [31 in.] tip radius)			
	Arm	31.1 kN (6,990 lb.)	27.0 kN (6,060 lb.)
	Bucket	41.1 kN (9,240 lb.)	41.1 kN (9,240 lb.)



Machine Dimensions					
G	Upperstructure Width	1.93 m (6 ft. 4 in.)	N	Maximum Blade Lift Above Ground	450 mm (18 in.)
H	Overall Height (canopy or cab)	2.54 m (8 ft. 4 in.)	O	Maximum Blade Drop Below Ground	390 mm (15 in.)
I	Track Width	400 mm (16 in.)	Blade		
J	Undercarriage Width	2.00 m (6 ft. 7 in.)	Width		
K	Ground Clearance	335 mm (13 in.)	Height		
L	Tail Swing Radius		P	Sprocket Center to Idler Center	1.99 m (6 ft. 6 in.)
	With Standard Counterweight	1.30 m (4 ft. 3 in.)	Q	Undercarriage Length	2.50 m (8 ft. 2 in.)
	With Additional Counterweight	1.41 m (4 ft. 8 in.)	R	Counterweight Clearance	620 mm (24 in.)
M	Engine Cover Height	1.60 m (5 ft. 3 in.)			

Lift Capacities
Boldface type indicates hydraulically limited capacity; lightface type indicates stability-limited capacities, in kg (lb.). All lift capacities are based on ISO 10567 (with power boost). Lifting measurement from center of arm to bucket pin; with 400-mm (16 in.) track shoe and blade on ground; and situated on firm, level, uniform supporting surface. Total load includes weight of cables, hook, etc. Figures do not exceed 87 percent of hydraulic capacities or 75 percent of weight needed to tip machine.

Ground Level at 3.0-m (9 ft. 10 in.) Radius	Rubber Track and Standard Counterweight		Steel Track and Standard Counterweight		Rubber Track and Extra Counterweight		Steel Track and Extra Counterweight	
	Over Front	Over Side	Over Front	Over Side	Over Front	Over Side	Over Front	Over Side
1500-mm (4 ft. 11 in.) Standard Arm and Cab	3880 kg (8,550 lb.)	1500 kg (3,310 lb.)	3880 kg (8,550 lb.)	1520 kg (3,350 lb.)	3880 kg (8,550 lb.)	1690 kg (3,730 lb.)	3880 kg (8,550 lb.)	1720 kg (3,790 lb.)
1850-mm (6 ft. 1 in.) Long Arm and Cab	3810 kg (8,400 lb.)	1480 kg (3,260 lb.)	3810 kg (8,400 lb.)	1500 kg (3,310 lb.)	3810 kg (8,400 lb.)	1680 kg (3,700 lb.)	3810 kg (8,400 lb.)	1700 kg (3,750 lb.)
1500-mm (4 ft. 11 in.) Standard Arm and Canopy	3880 kg (8,550 lb.)	1420 kg (3,130 lb.)	3880 kg (8,550 lb.)	1420 kg (3,130 lb.)	3880 kg (8,550 lb.)	1620 kg (3,570 lb.)	3880 kg (8,550 lb.)	1620 kg (3,570 lb.)
1850-mm (6 ft. 1 in.) Long Arm and Canopy	3820 kg (8,420 lb.)	1400 kg (3,090 lb.)	3820 kg (8,420 lb.)	1400 kg (3,090 lb.)	3820 kg (8,420 lb.)	1600 kg (3,530 lb.)	3820 kg (8,420 lb.)	1610 kg (3,550 lb.)

Additional equipment

Key: ● Standard ▲ Optional or special

See your John Deere dealer for further information.

35G	50G	60G	Engine
●	●	●	Meets EPA Final Tier 4/EU Stage IV emissions
●	●	●	Auto shutdown
●	●	●	Engine coolant to -37 deg. C (-34 deg. F)
●	●	●	Engine preheater
●	●	●	Fan guard
●	●	●	Fuel/water separator
●	●	●	Full-flow oil filter
●	●	●	Isolation mounted
●	●	●	Key start switch with electric fuel shutoff
●	●	●	Single dry-type air filter
Hydraulic System			
●	●	●	Auto-idle
●	●	●	Auxiliary function right-hand pilot-lever control
●	●	●	Auxiliary hydraulic lines with quick-couplers to end of boom
●	●	●	Auxiliary return-flow selector valve
●	●	●	Axial-piston swing motor
●	●	●	Boom-swing foot control
●	●	●	Excavator-to-backhoe control pattern change valve
●			Open center with 2 variable-displacement pumps and 1 fixed-gear pump
	●	●	Closed center load sensing with 1 variable-displacement pump
●	●	●	Hydraulic pilot-operated controls for boom, arm, bucket, swing, boom swing, blade, travel, and auxiliary functions
●	●	●	Wet-disc swing brake
Undercarriage			
●	●	●	Planetary final drive
●	●	●	Propel motor shield
●	●	●	2-speed axial-piston propel motors
●			Rubber track, 300 mm (12 in.)
	●	●	Rubber track, 400 mm (16 in.)

35G	50G	60G	Undercarriage (continued)
▲			Steel track, 300 mm (12 in.) with triple semi-grousers
	▲	▲	Steel track, 400 mm (16 in.) with triple semi-grousers
▲			Rubber crawler pad, 300 mm (12 in.)
	▲	▲	Rubber crawler pad, 400 mm (16 in.)
Upperstructure			
●	●	●	360-deg. rotation
●			Counterweight, 540 kg (1,190 lb.)
	●		Counterweight, 700 kg (1,543 lb.)
		●	Counterweight, 745 kg (1,642 lb.)
●	●	●	Hinged service-access doors
●	●	●	Toolbox
●	●	▲	ROPS/TOPS/FOPS (canopy)
▲	▲	●	ROPS/TOPS/FOPS (cab) with air conditioning and heater
●	●	●	Vandal protection for service doors, fuel cap, and toolbox
●	●		Zero-tail-swing configuration
		●	Reduced-tail-swing configuration
Front Attachments			
●			Arm, 1315 mm (4 ft. 4 in.)
	●		Arm, 1380 mm (4 ft. 6 in.)
		●	Arm, 1500 mm (4 ft. 11 in.)
▲			Long arm, 1715 mm (5 ft. 8 in.), includes additional 240-kg (529 lb.) counterweight
	▲		Long arm, 1690 mm (5 ft. 7 in.), includes additional 200-kg (441 lb.) counterweight
		▲	Long arm, 1850 mm (6 ft. 1 in.), includes additional 270-kg (595 lb.) counterweight
●	●	●	Articulation hose shield
●			Backfill blade, 1.74 m (5 ft. 9 in.)
	●	●	Backfill blade, 2.00 m (6 ft. 7 in.)
▲	▲	▲	Hydraulic angle backfill blade
●			Boom, 2.465 m (8 ft. 1 in.)
	●		Boom, 2.85 m (9 ft. 4.2 in.)
		●	Boom, 2.965 m (9 ft. 9 in.)
●	●	●	Mechanical quick-coupler

35G	50G	60G	Front Attachments (continued)
▲	▲	▲	Augers: Planetary / Chain drive / Bits / Bit adapters
▲	▲	▲	Clamp
▲	▲	▲	Hammers: Points / Tools
▲	▲	▲	Quick-coupler buckets: Bucket teeth / Ditching / Heavy-duty
Operator's Station			
●	●	●	Horn
●	●	●	Hour meter
●	●	●	Instrumentation lights
●	●	●	Mode selectors (illuminated): Power mode (1) / Economy mode (1)
●	●	●	Monitor system: Preheat indicator / Engine oil pressure indicator with alarm / Alternator voltage indicator / Fuel gauge and low-fuel-level indicator / Engine coolant temperature gauge and engine coolant temperature indicator with alarm / Hour meter / Work lights indicator
●	●	●	Motion alarm with cancel switch
●	●	●	Work lights switch
●	●	●	Propel levers and foldable pedals
●	●	●	2 travel speeds with automatic shifting
●	●	●	Seat belt, 51 mm (2 in.), retractable
▲	▲	▲	Seat belt, 76 mm (3 in.), retractable
●	●	▲	Vinyl seat with fore/aft adjustment
▲	▲	●	Suspension seat (cloth)
▲	▲	▲	Front screen
▲	▲	▲	Rear secondary exit kit
Electrical			
●	●	●	12-volt accessory outlet
●	●	●	Alternator, 55 amp
●	●	●	Low-maintenance battery
●	●	●	Blade-type multi-fused circuits
●	●	●	Positive-terminal battery covers
Lights			
●	●	●	Work lights: Halogen / 1 mounted on operator's station / 1 mounted on boom

While general information, pictures, and descriptions are provided, some illustrations and text may include product options and accessories NOT AVAILABLE in all regions, and in some countries products and accessories may require modifications or additions to ensure compliance with the local regulations of those countries.

Net engine power is with standard equipment including air cleaner, exhaust system, alternator, and cooling fan at test conditions per ISO 9249. These machines are not equipped with spark-arrestor mufflers. Usage in forestry applications is not recommended. Specifications and design subject to change without notice. Wherever applicable, specifications are in accordance with SAE standards. Except where otherwise noted, these specifications are based on units with standard arms, full fuel tanks, and 79-kg (175 lb.) operators; a 35G canopy unit with 610-mm (24 in.), 0.11-m³ (4.0 cu. ft.) bucket, 300-mm (12 in.) rubber track, and 540-kg (1,190 lb.) counterweight; a 50G canopy unit with 610-mm (24 in.), 0.16-m³ (5.7 cu. ft.) bucket, 400-mm (16 in.) rubber track, and 700-kg (1,543 lb.) counterweight; and a 60G cab unit with 0.19-m³ (6.8 cu. ft.) bucket, 400-mm (16 in.) rubber track, and 745-kg (1,642 lb.) counterweight.

